



Hanchett Entry Systems, Inc.
22630 N. 17th Avenue
Phoenix, AZ 85027
www.hesinnovations.com

FIVE YEAR LIMITED WARRANTY

Technical Service Dept. help line 800-626-7590
Phoenix area: 623-582-4626

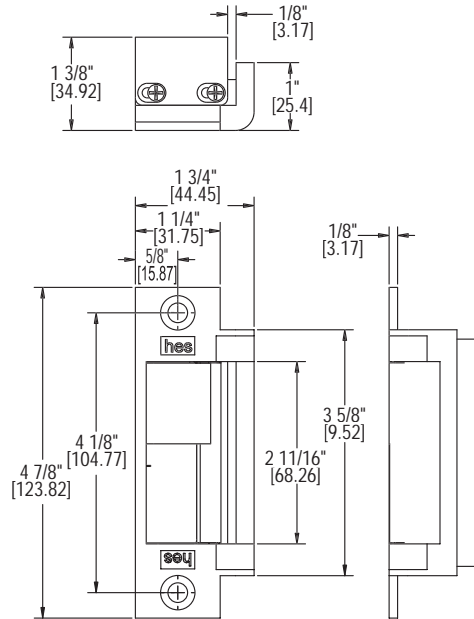
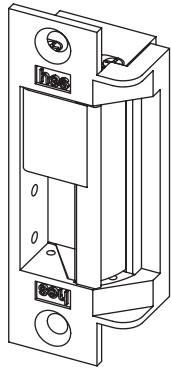
4500 SERIES ELECTRIC STRIKES

INSTALLATION INSTRUCTIONS

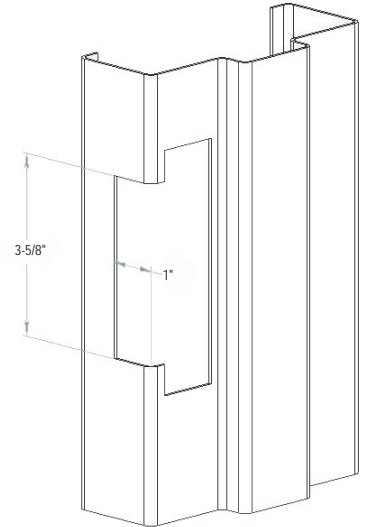
Please read carefully before attempting installation.

4500 SERIES DIMENSIONS

DIMENSIONS:
INCH
[MM]



JAMB CUTOUT DIMENSIONS



See page 2 for detailed cutout dimensions depending on lockset type

CAUTION! Before connecting any electric strike to a power source, verify input voltage and current using a multimeter. Electric strike ships from factory configured to 12VDC. 4500 electric strike is field reversible to 24VDC. Many power supplies and transformers operate at higher levels than listed. Any input voltage exceeding 10% electric strikes' solenoid may cause severe damage to the unit and will void the warranty.

ELECTRICAL RATINGS FOR SOLENOID	Continuous Duty	
	24 VDC (± 10%)	12 VDC (± 10%)
Resistance in Ohms	200	50
Amps Seated	.12	.24

Solenoids are rated at +/- 10% indicated value

MINIMUM WIRE GAUGE REQUIREMENTS	Solenoid Voltage	
	24 VDC	12 VDC
200 feet or less	18 gauge	18 gauge
200 - 300 feet	18 gauge	16 gauge
300 - 400 feet	16 gauge	14 gauge

Wiring diagram for 12/24 Volts

FIG. A
12 VOLT DC

NOTE: Electric strike ships from factory configured to 12VDC. 4500 electric strike is field reversible to 24VDC.

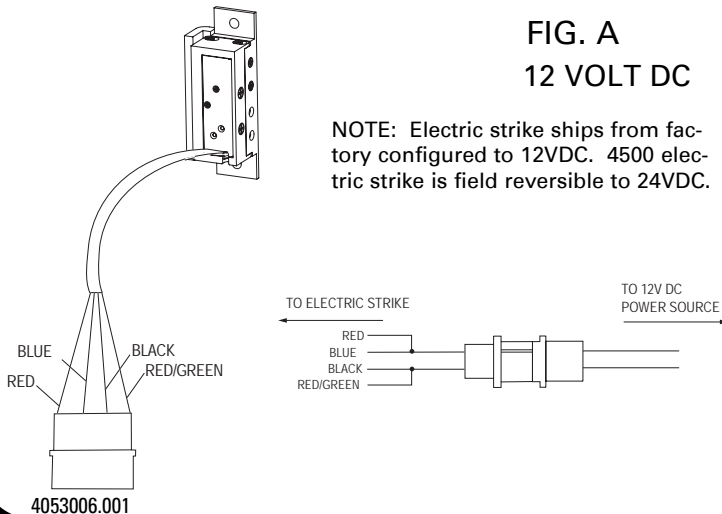
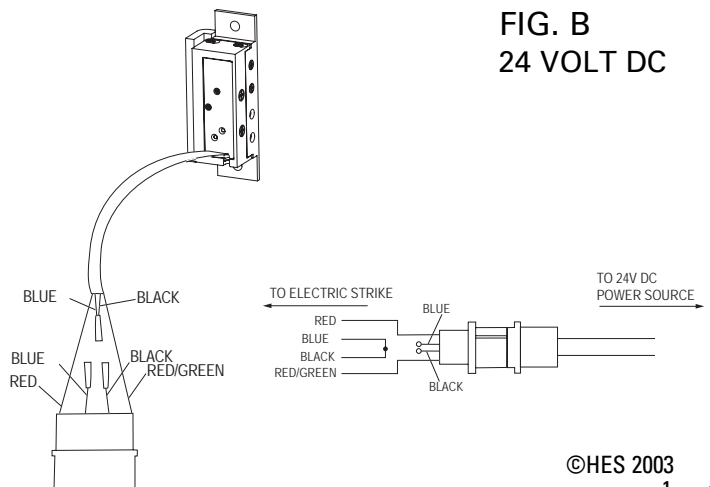


FIG. B
24 VOLT DC



©HES 2003

1

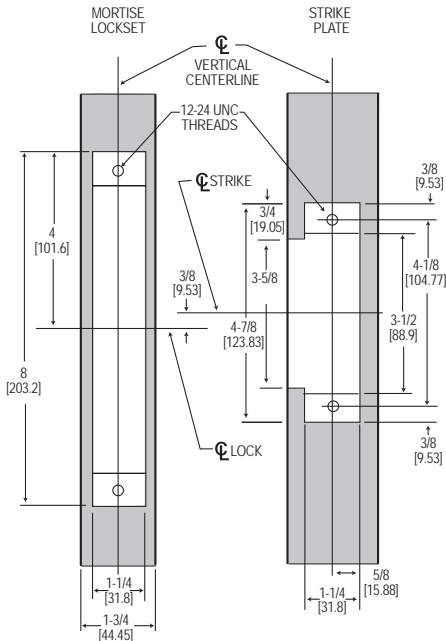
4500 Series Installation Instructions

DIMENSIONS:
INCH
[MM]

FIG. 1

MORTISE LOCKSET DOOR & STRIKE JAMB DESCRIPTION

Please note the horizontal centerline of electric strike in reference to the horizontal centerline of the mortise lockset.



1. Prepare door jamb per appropriate template detail. (See figures; see NOTE 1.)
2. Install mounting tabs, when applicable. (P/N 152: universal mounting tabs) using four 10-32 UNF screws. Do not tighten.
3. Unplug wire pigtail from electric strike.
4. Connect wires coming from the low voltage power source (See wiring diagrams) to the electric strike pigtail.
5. Re-connect the pigtail to the electric strike.
6. Use the four 6-32 UNF screws located on the side of the electric strike to adjust keeper location.
7. Install electric strike into jamb, using two 12-24 UNC machine screws. Align strike using 4 horizontal adjustment screws as needed.
8. Tighten the four 10-32 UNF screws holding mounting tabs (when applicable).

NOTE 1: It is important to allow enough space behind the electric strike in the jamb cut-out for the wires. Bunching the wires inside the electric strike body may cause the unit to not operate properly.

NOTE 2: Use only the mounting screws and hardware supplied with the product for installation. Do not substitute installation fasteners or hardware.

NOTE 3: HES offers universal mounting tabs, sold separately, to simplify the installation procedure.

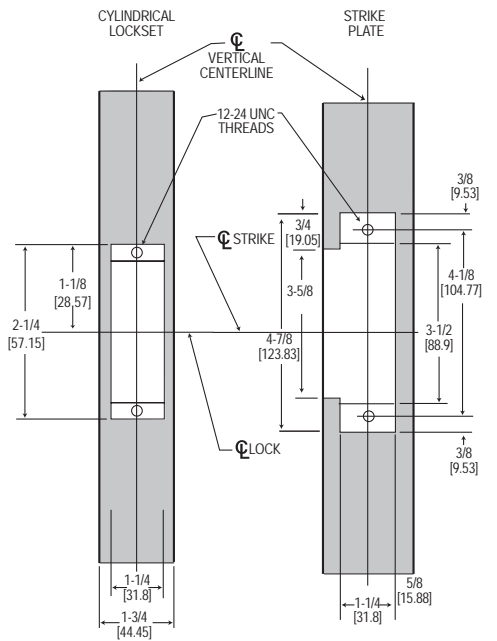
NOTE 4: Application on door frames only.

NOTE 5: The 4500 is intended for UL 10C, 3 hour.

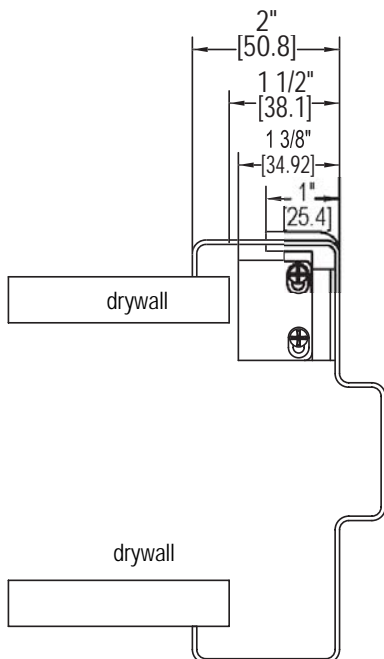
FIG. 2

CYLINDRICAL LOCKSET DOOR & STRIKE JAMB DESCRIPTION

Please note the horizontal centerline of electric strike in reference to the horizontal centerline of the cylindrical lockset.



DOOR JAMB END VIEW



4500 LATCHBOLT MONITOR AND LATCHBOLT STRIKE MONITOR (LBM/LBSM ordered separately)

LBM WIRING COLOR CODE

WHITE ——— COMMON
ORANGE ——— NO - NORMALLY OPEN
GREEN ——— NC - NORMALLY CLOSED

LBSM WIRING COLOR CODE

BROWN ——— COMMON
BLUE ——— NO - NORMALLY OPEN
YELLOW ——— NC - NORMALLY CLOSED

(in addition the wires listed above)

